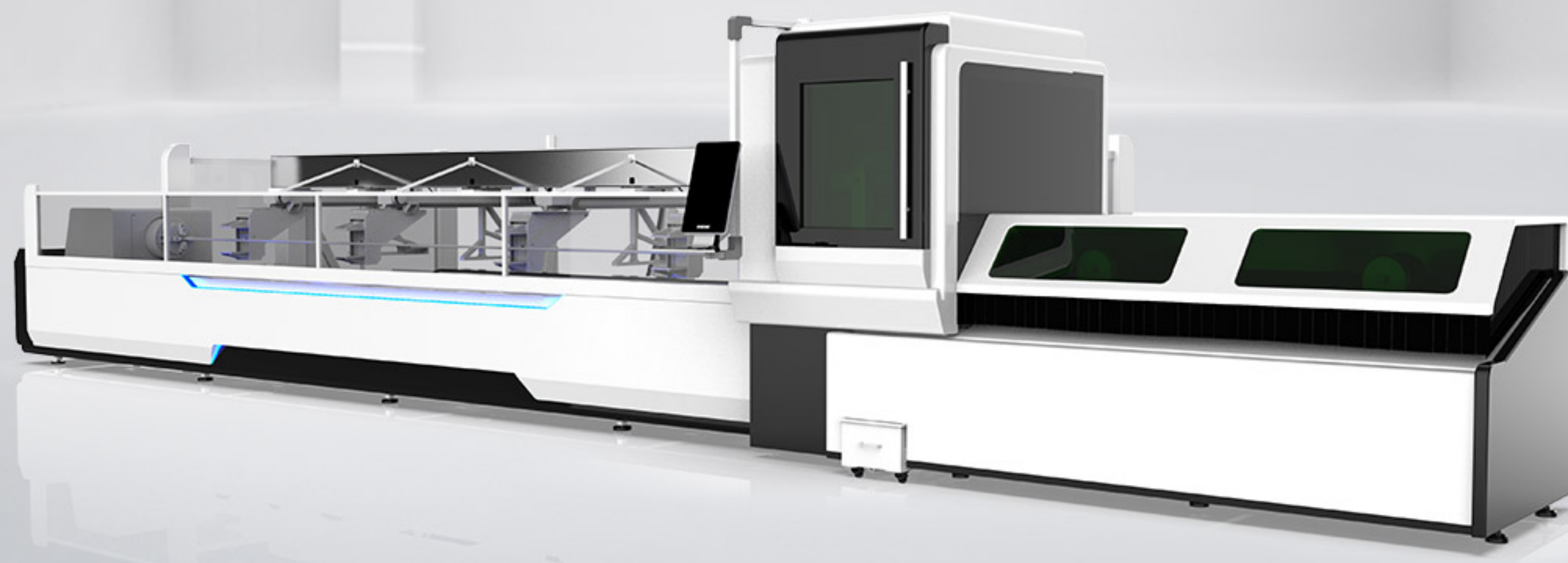


LF60MA

LF60MA AUTOMATIC PROFESSIONAL TUBE LASER CUTTING MACHINE



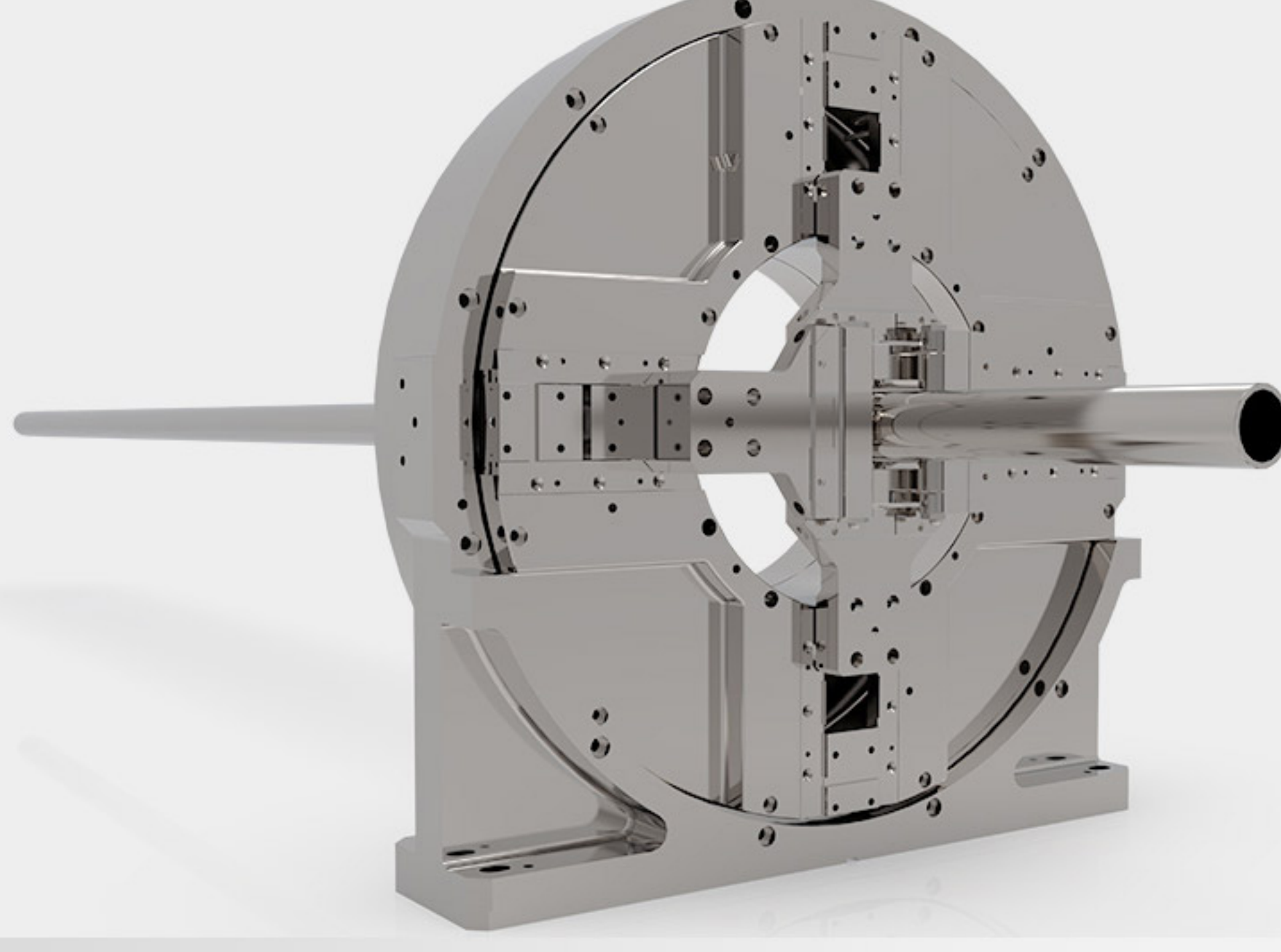
Autofocus Laser Cutting Head

- Without Manual Focusing
 - Without Manual Focusing
The software automatically adjusts the focusing lens to realize automatic perforating and cutting plates of different thickness. The speed of automatically adjusting focus lens is ten times of the manual adjusting.
- Bigger Adjustment Range
Adjustment range -10 mm~ +10mm, precision 0.01mm, suitable for 0 ~ 20mm different types of plates.
- Long Service Life
Collimator lens and focus lens both have water-cooling heat sink which reduces the temperature of the cutting head to improve the life of the cutting head.



Clamp Design

- It adopts an pneumatic clamp design on both sides and it can modulate the center automatically. The diagonal adjustable range is 20-300mm.



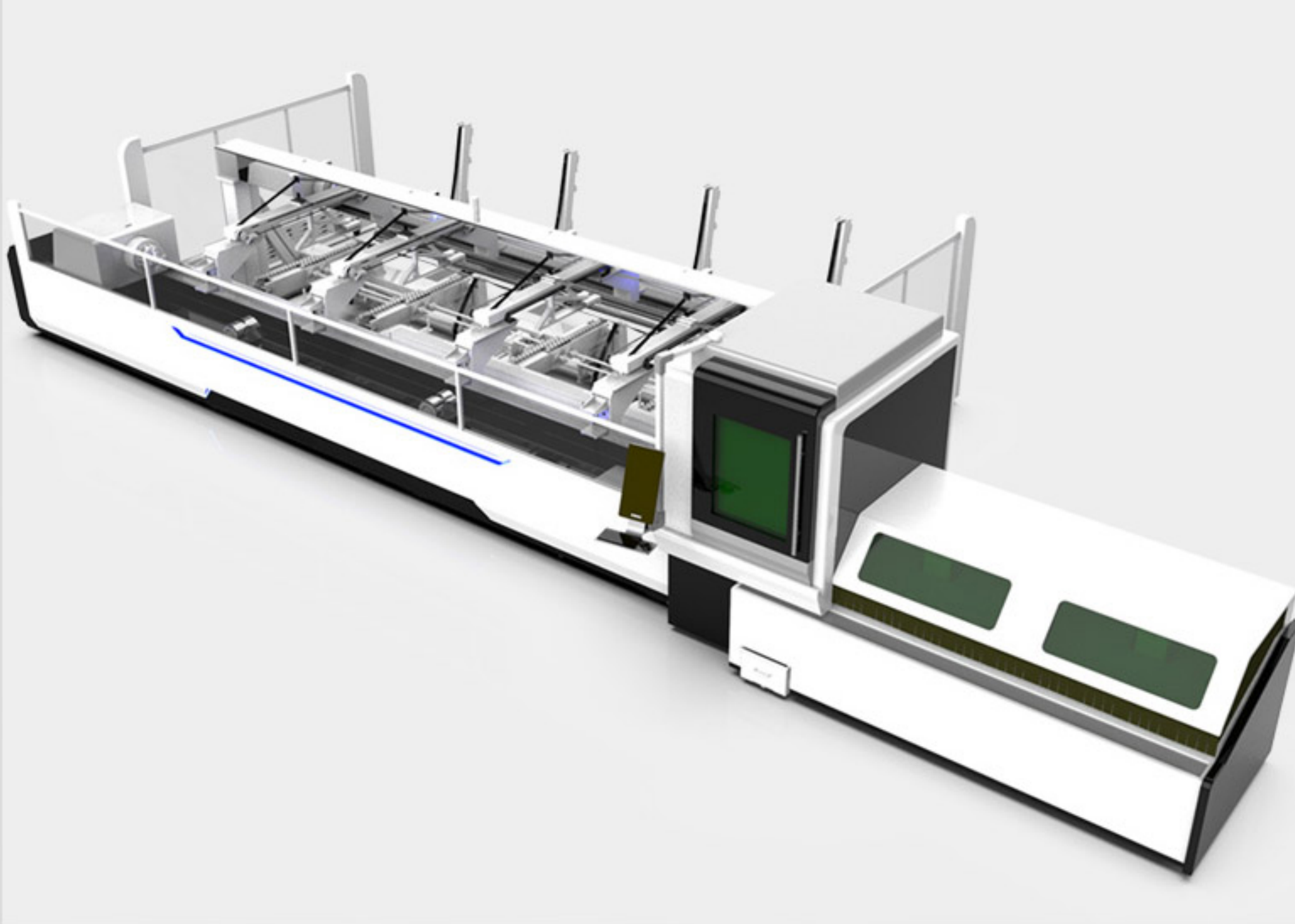
Fractional Automatic Support Installation

- It employs intelligent tube support design, which can solve the deformation problems in the process of long tube cutting.



Full-automatic feeding and unloading material device

- Automatic Feeding
Realize the intelligent material separation, feeding and seamless docking with the fiber laser cutting machine after the whole bundles of tubes are placed in the feeding device, and ensure that only one tube is delivered to the conveying arm each time.
- Automatic Unloading
The finished product is automatically dropped to the storage bin, double support-bearing auxiliary support overlong tubes.



Machine Advantage

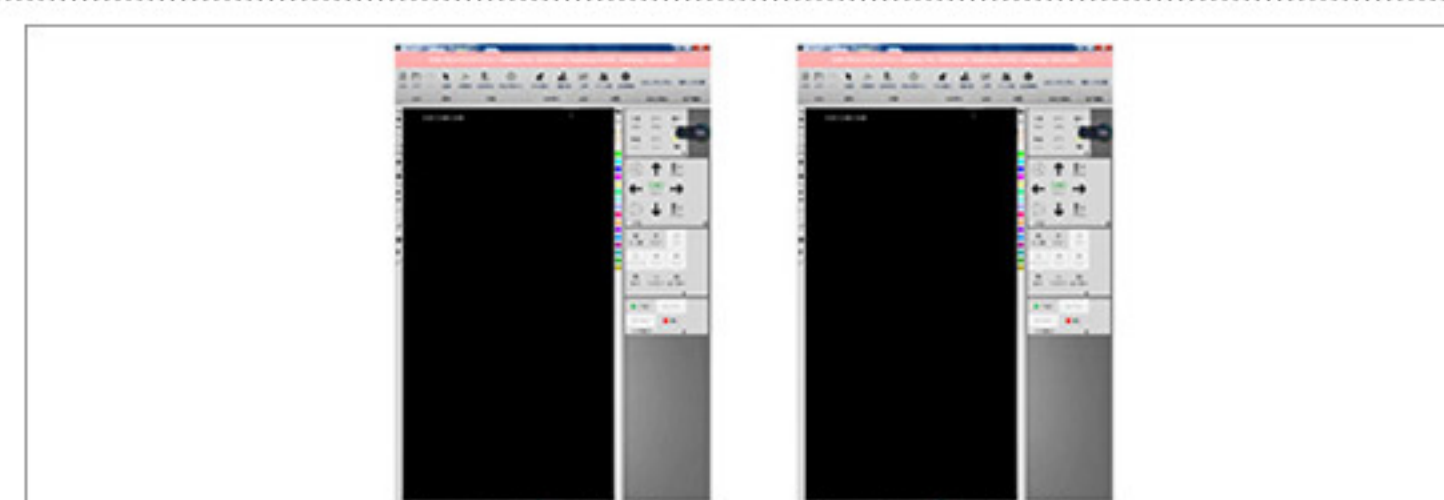
Wireless Controller
It employs a wireless controller, with free control clamp pressure for easy control and operation, which can reduce pipe deformation.



Automatic Stroke Protection
Detect whole process of cutting head working, quickly feedback the risk and stop it. Double protection with fixed limit to improve equipment and personal safety and reduce risk



Intelligent Alarm System
It can detect anomalies in advance, reduce hidden dangers, and double the effect of abnormal detection of equipment.



Industry Applications

Take the oil industry for example, the main route of oil transport is the pipeline, and because of the characteristics of the oil itself, leading to the high quality requirements of the pipeline. While fiber laser cutting machine can achieve the pipes multi-angle precision processing to fulfil the oil transportation requirement. Professional tube fiber laser cutting machine—LF60M is used for cutting square tube, rectangular tube, oval tube, waist type tube, hexagonal tube; square tube □ 20 * 20- □ 150 * 150mm, round tube Φ20-Φ 210mm wall thickness of 0.5-10mm carbon steel tube, 0.5-10mm stainless steel tube.



Technical Parameters

E Series	
Machine model	LF60MA
Laser power	1000W 2000W 3000W 4000W 6000W (OPTIONAL)
Working area	HOLD DIAMETER: Φ20MM-Φ300MM
Dimensions	12694*5345*2638MM
Repeat positioning accuracy	±0.02MM
Maximum speed	120M/MIN
Max. acceleration	1.5G
Voltage and frequency	380V/50HZ/60HZ

JINAN G.WEIKE SCIENCE & TECHNOLOGY CO.,LTD

In hi Tech square High-Tech Zone, Jinan, Shandong, China

E-mail: wkcutt@163.com

Hotline: 400-061-521

Fax: +86-0531-88912386