

LF3015CNR

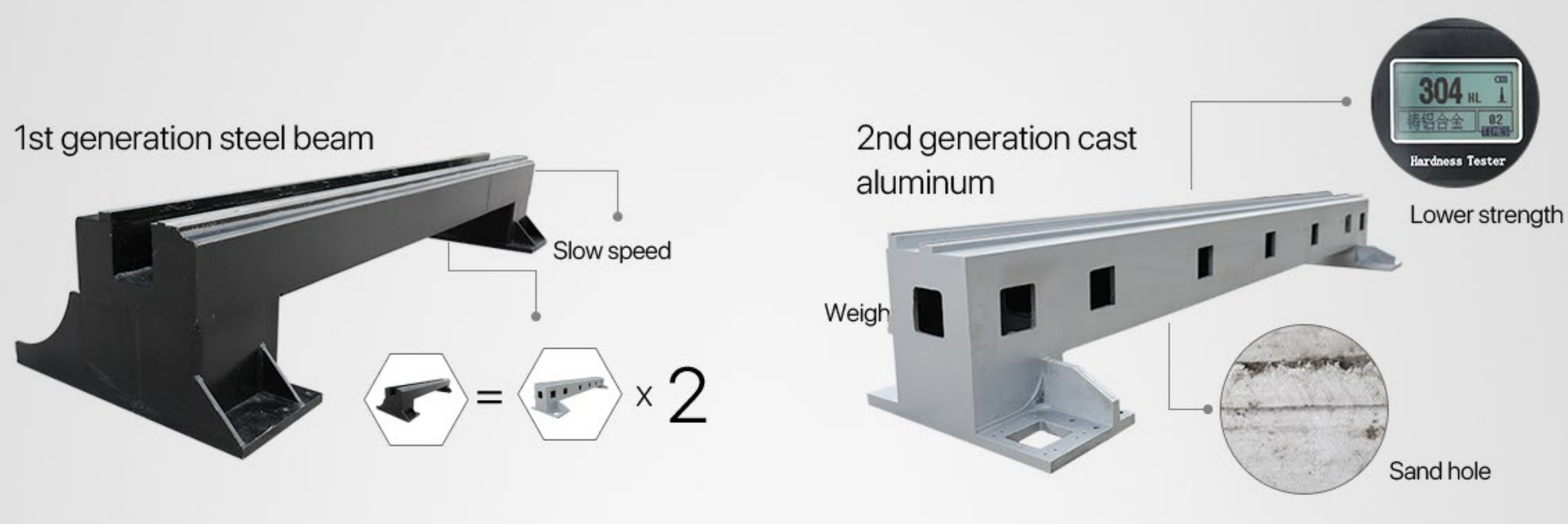
CNC PIPE & PLATE DUAL-USE FIBER LASER CUTTING MACHINE



Dual Use and Cost-saving

3015CNR fiber laser cutting machine can not only cut metal plates, but also metal pipes. It has many uses and can save the space of more than 50%, which effectively improve productivity.

The Third Generation Aviation Aluminum Beam



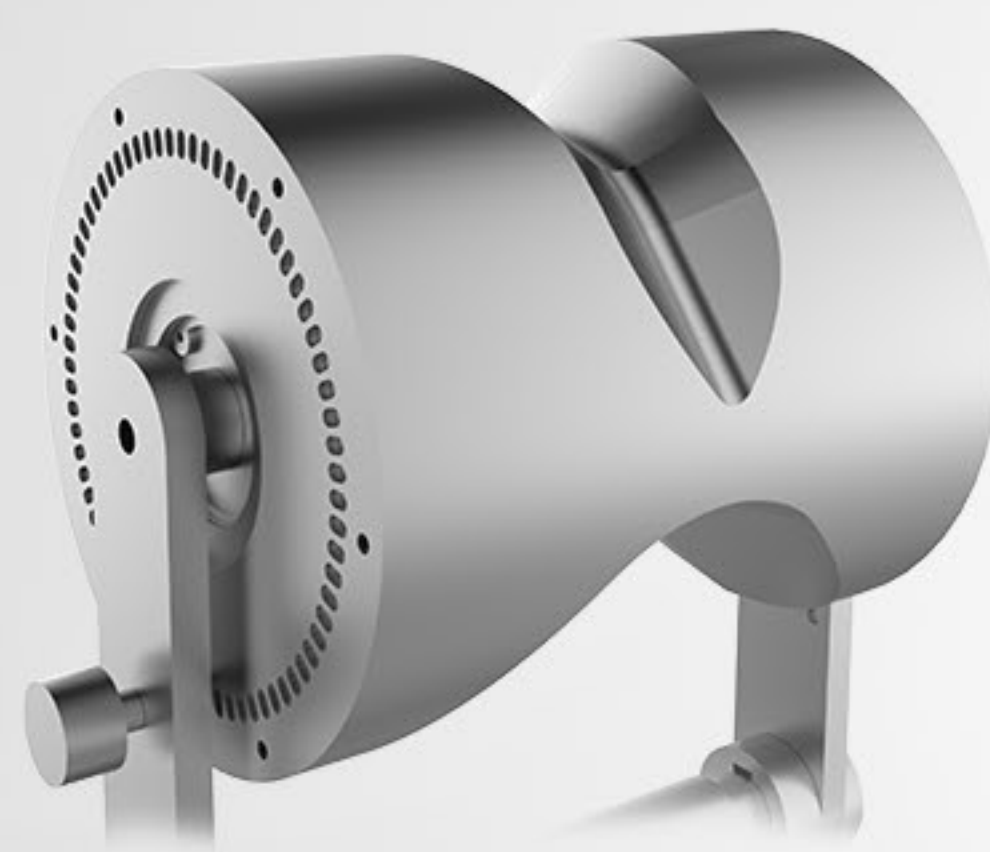
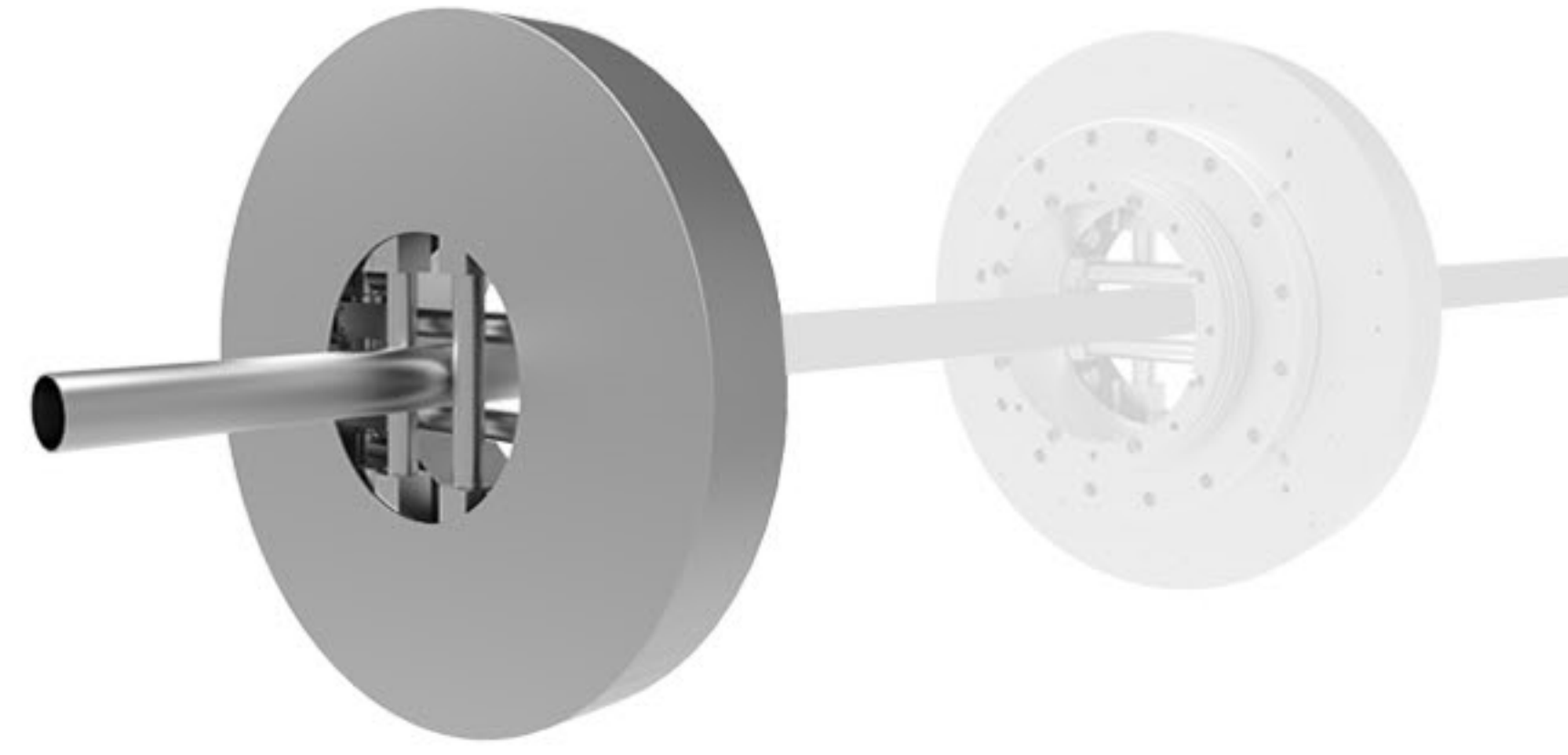
3rd generation aviation aluminum beam

It is manufactured with aerospace standards and formed by 4300 tons press extrusion molding. After aging treatment, its strength can reach 6061 T6 which is the strongest strength of all beams. Aviation aluminum has many advantages, such as good toughness, light weight, corrosion resistance, anti-oxidation, low density, and greatly increase the processing speed.



Clamp Design

It adopts an electric clamp design on both sides and it can modulate the center automatically. The diagonal adjustable range is 20-200mm.



Fractional Automatic Support Installation

It employs intelligent tube support design, which can solve the deformation problems in the process of long tube cutting.

The Segmented Rectangular Tube Welded Bed

The internal structure of the bed adopts the aircraft metal honeycomb structure, which is welded by a number of rectangular tubes. Stiffeners are arranged inside the tubes to increase the strength and tensile strength of the bed, it also increases the resistance and stability of the guide rail so as to effectively avoid the deformation of the bed.

- High strength, stability, tensile strength, ensuring 20 years of use without distortion;
- Thickness of rectangular pipe wall is 10mm and weights 4500 kg.



Without Manual Operation, It Can Focus Automatically



- **Without manual focusing**

The software automatically adjusts the focusing lens to realize automatic perforating and cutting plates of different thickness. The speed of automatically adjusting focus lens is ten times of the manual adjusting.

- **Bigger adjustment range**

Adjustment range -10 mm ~ +10mm, precision 0.01mm, suitable for 0 ~ 20mm different types of plates.

- **Long service life**

Collimator lens and focus lens both have water-cooling heat sink which reduces the temperature of the cutting head to improve the life of the cutting head.

Transmission and Precision

German Tech Quality

G·WEIKE fiber laser cutting machine is equipped with German Atlanta rack, Japanese Yaskawa motor and German Neugart reducer. The positioning accuracy of the machine tool can be 0.02mm and the cutting acceleration is 1.5G. The working life is up to 10 years.



Technical Parameters

Machine Model	LF3015CNR
Laser Power	1000W 2000W 3000W (Optional)
Dimensions	8300*4790*1930mm
Working Area	3000mm * 1500mm
Repeat Positioning Accuracy	±0.02mm
Maximum Speed	100m/min
Maximum Acceleration	1.5G
Specified Voltage and Frequency	380V/50Hz/60Hz/60A

Industry Applications

Since sheet and pipe integrated design, Industry adaptability of LF3015CNR has been greatly enhanced, including petroleum and pipe material, fitness equipment and other pipe material mainly mechanical processing, automotive manufacturing, machine cabinet and other board materials mainly mechanical processing etc.



JINAN G·WEIKE SCIENCE & TECHNOLOGY CO.,LTD

In hi Tech square High-Tech Zone, Jinan,Shandong,China

E-mail: wkcutt@163.com

Hotline: 400-061-521

Fax: +86-0531-88912386